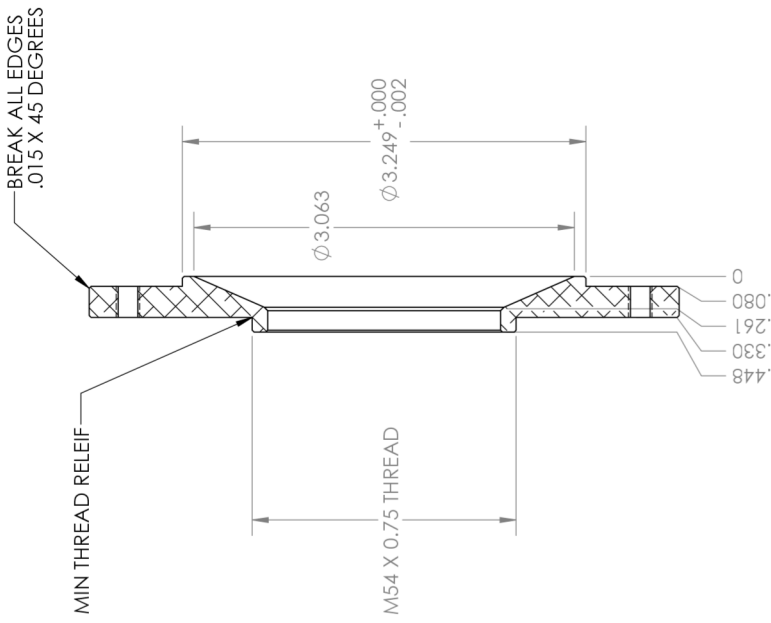
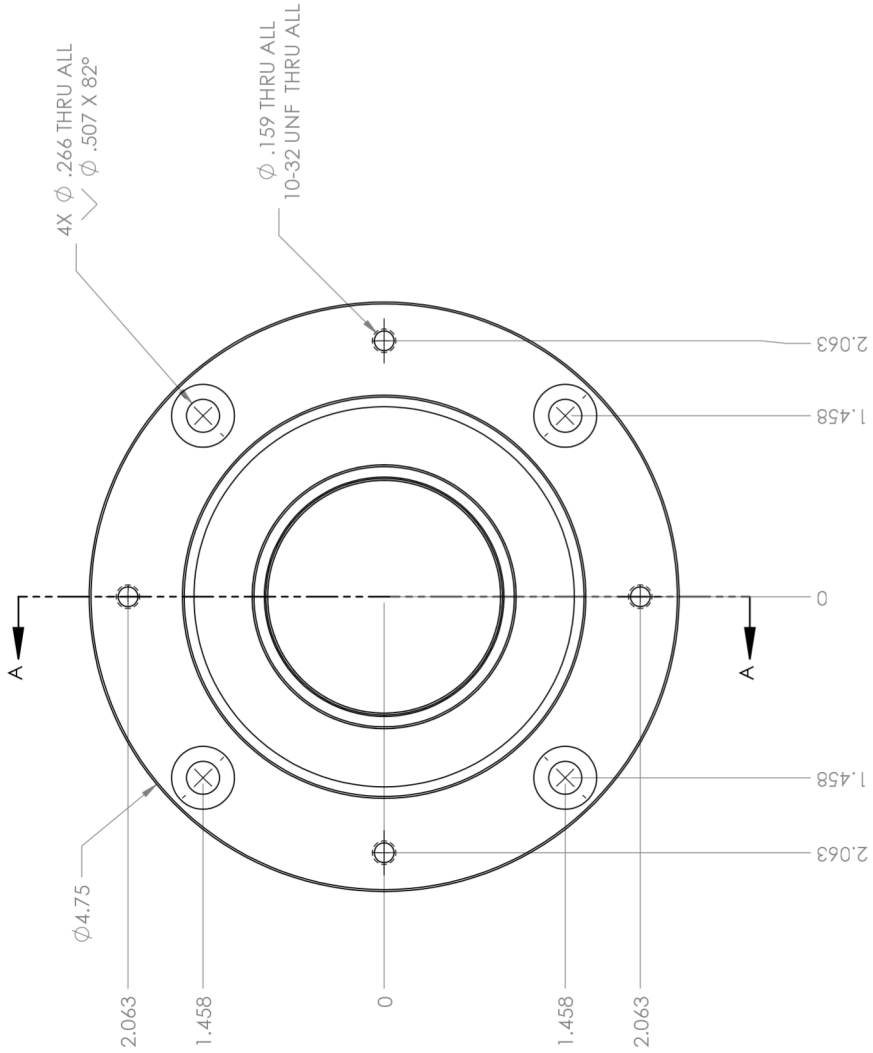
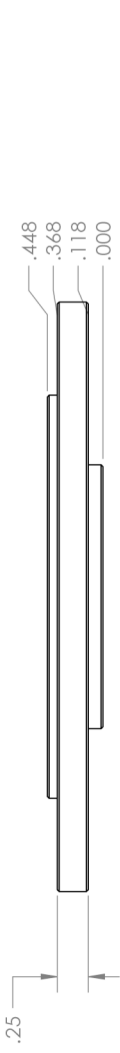


1 2 3 4 5 6 7 8

REVISIONS		DATE	APPROVED
ZONE	REV.	DESCRIPTION	DATE
	A	INITIAL RELEASE	4/1/21
			DAP



SECTION A-A

UNLESS OTHERWISE SPECIFIED TOLERANCES		NAME	DATE
DECIMAL DIM	±.005	DAP	4/2/2021
ANGULAR DIM	±.05		
LOCATING DIM	±.005		
FORMED DIM	±.01		
CHAMFERS	±.01		

TITLE		REV	DWG. NO.
PlaneWave Instruments			600389
SECURE FIT TO M54 X .75			

FINISH		QUANTITY	SCALE
BLK ANODIZE TYPE 2		1	1:1
MATERIAL			
6061 ALUMINUM			

PROPRIETARY AND CONFIDENTIAL
 THE INFORMATION CONTAINED IN THIS DRAWING IS THE PROPERTY OF PLANEWAVE INSTRUMENTS. ANY REPRODUCTION IN PART OR AS A WHOLE WITHOUT THE WRITTEN PERMISSION OF PLANEWAVE INSTRUMENTS IS PROHIBITED.

1 2 3 4 5 6 7 8