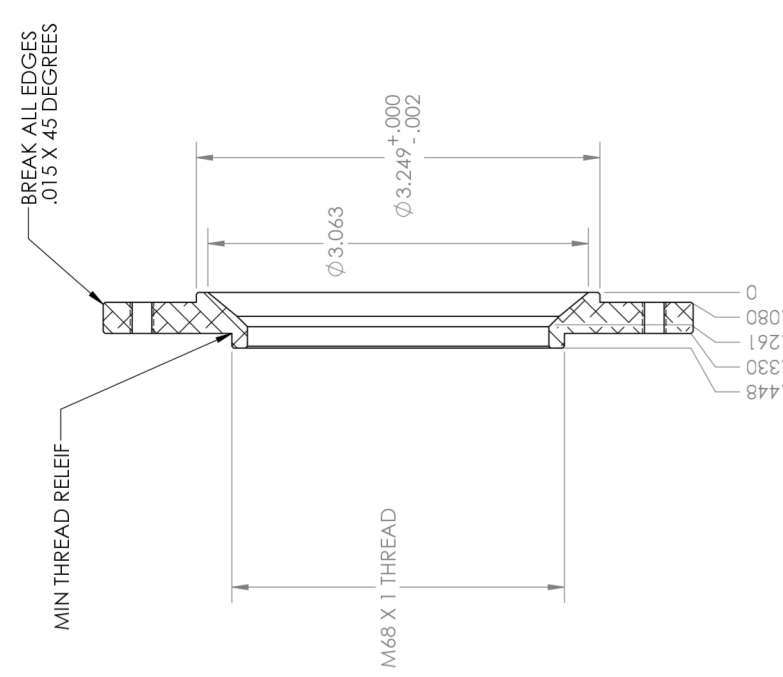
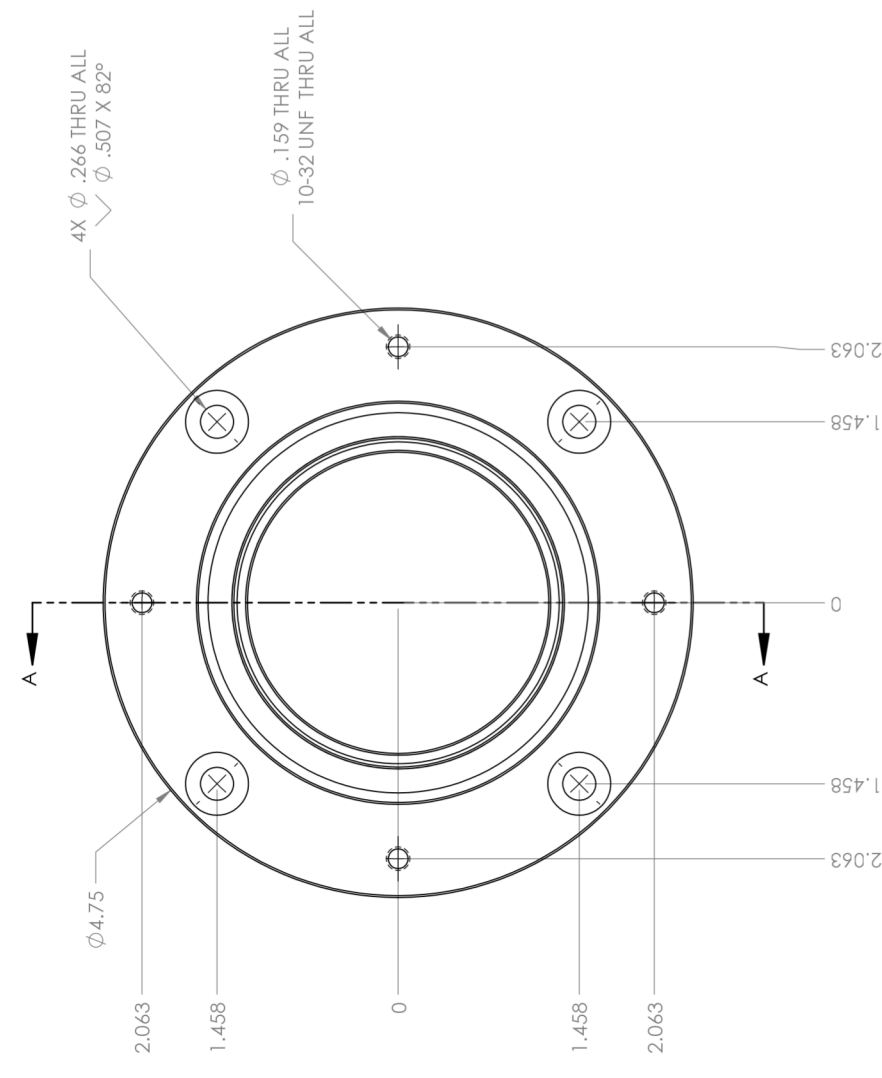
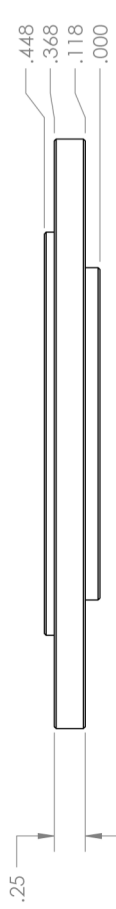


1 2 3 4 5 6 7 8

REVISIONS		DATE	APPROVED
ZONE	REV.	DESCRIPTION	INITIAL RELEASE
	A		DAP



SECTION A-A

PlaneWave Instruments		DATE	TITLE
DRAWN	DAP	4/2/2021	SECURE FIT TO M68 X 1
CHECKED			
ENG. APPR.			
MATERIAL	6061 ALUMINUM		
FINISH	BLK ANODIZE TYPE 2		
QUANTITY	1		

UNLESS OTHERWISE SPECIFIED
 TOLERANCES
 DECIMAL DIM
 FRACTIONS
 ANGULAR DIM
 HOLE LOCATIONS
 FORMED IN
 CHAMFERS 25°

PROPRIETARY AND CONFIDENTIAL
 THE INFORMATION CONTAINED IN THIS DRAWING IS THE PROPERTY OF PLANEWAVE INSTRUMENTS. ANY REPRODUCTION IN PART OR AS A WHOLE WITHOUT THE WRITTEN PERMISSION OF PLANEWAVE INSTRUMENTS IS PROHIBITED.

FILE NO.	600390
CAD FILE	600390.dwg
SHEET	1
SHEET OF	1