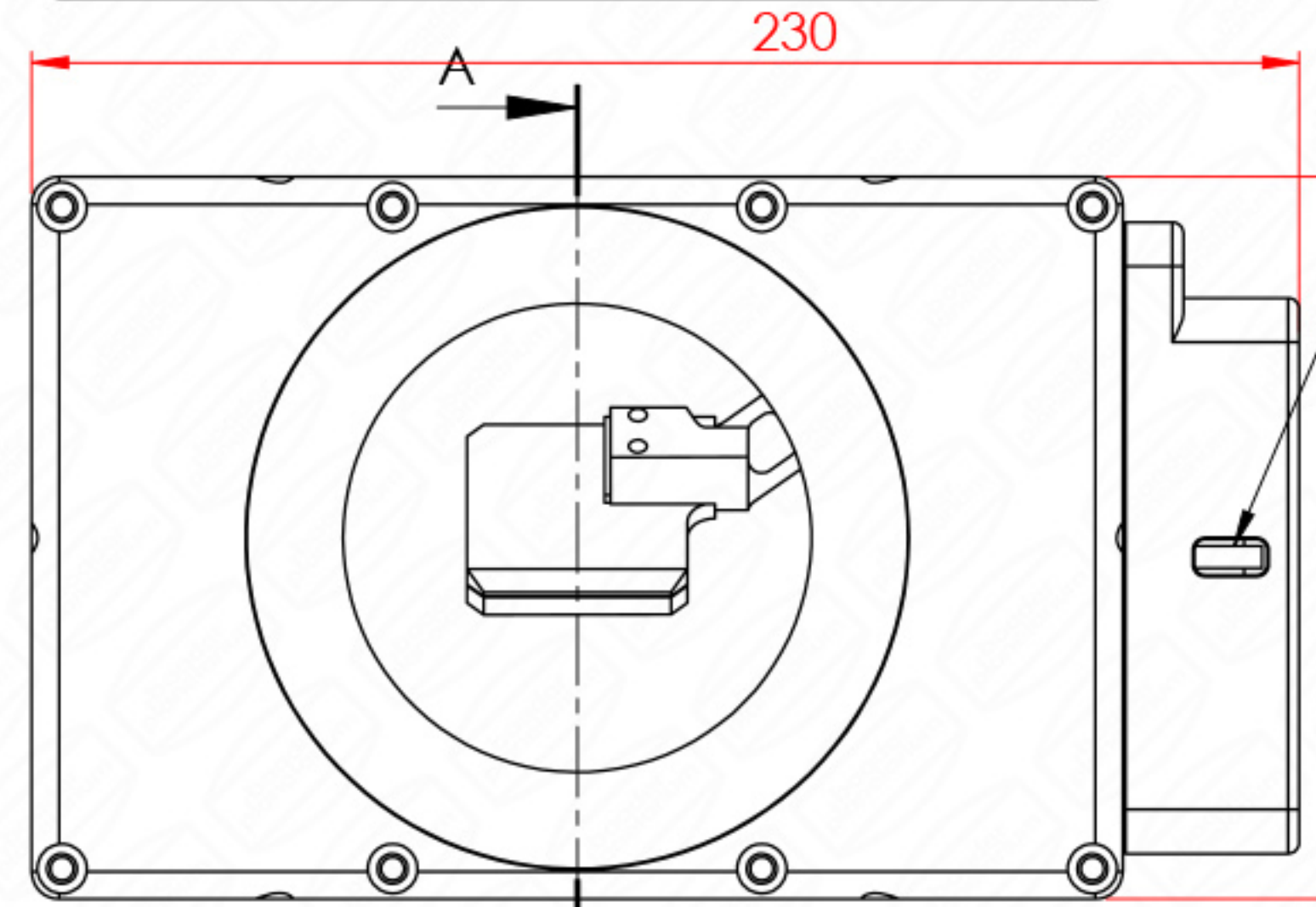
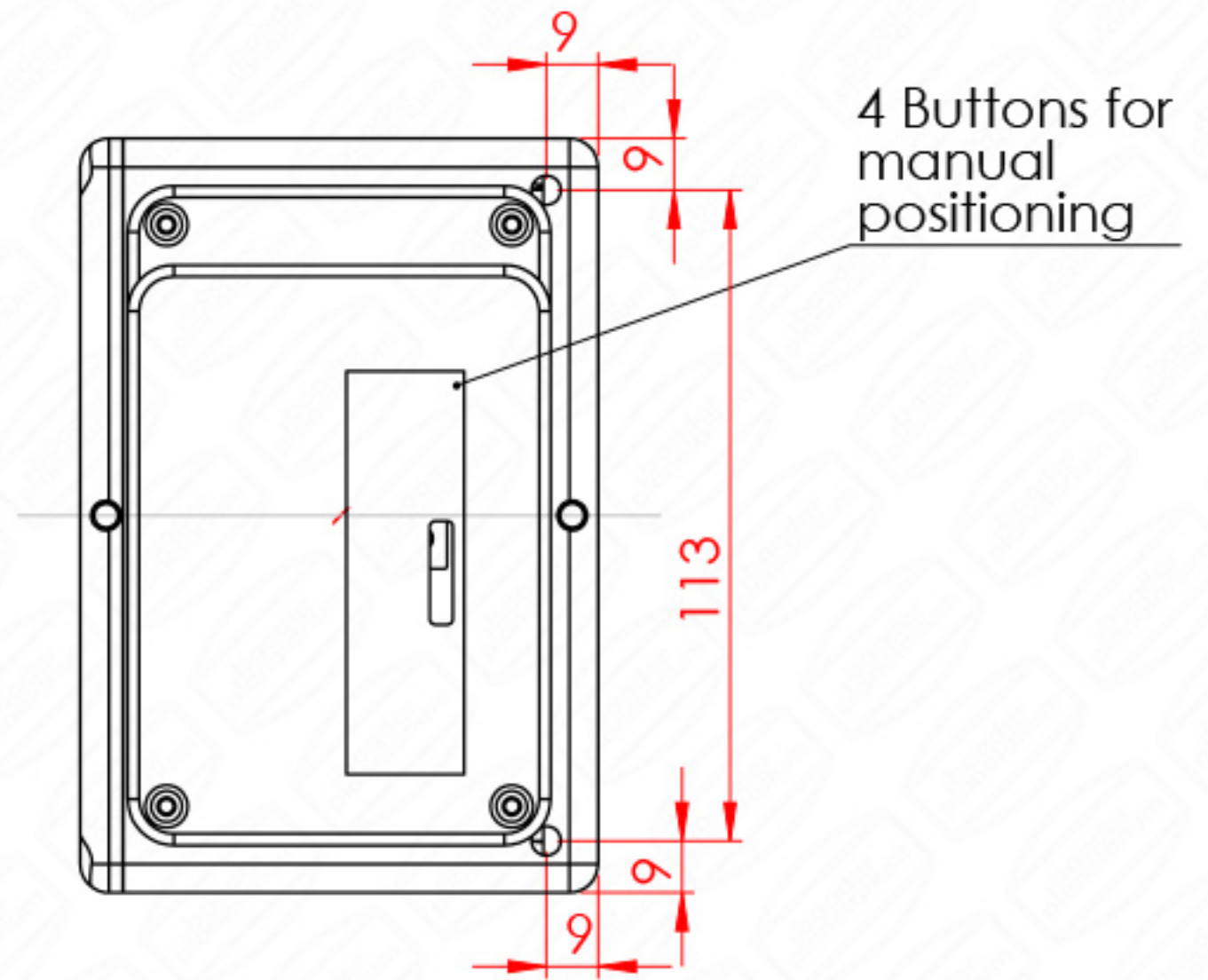
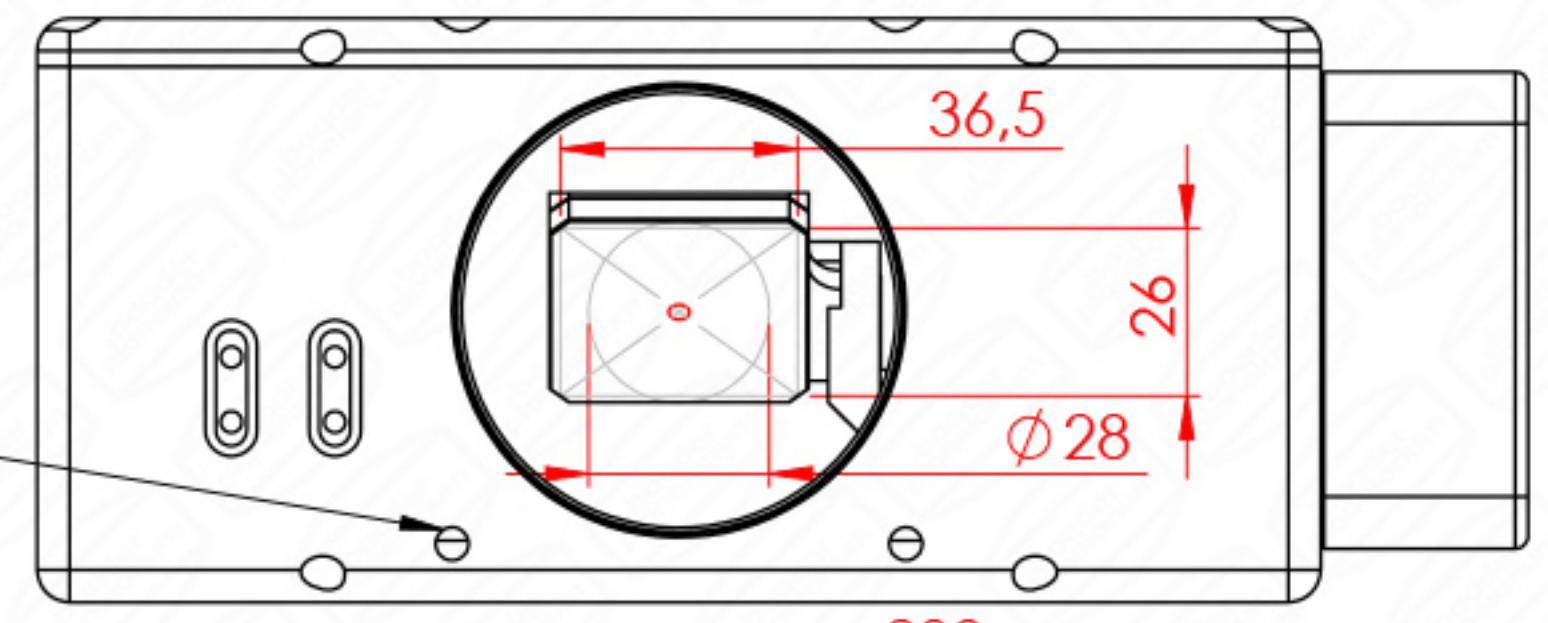
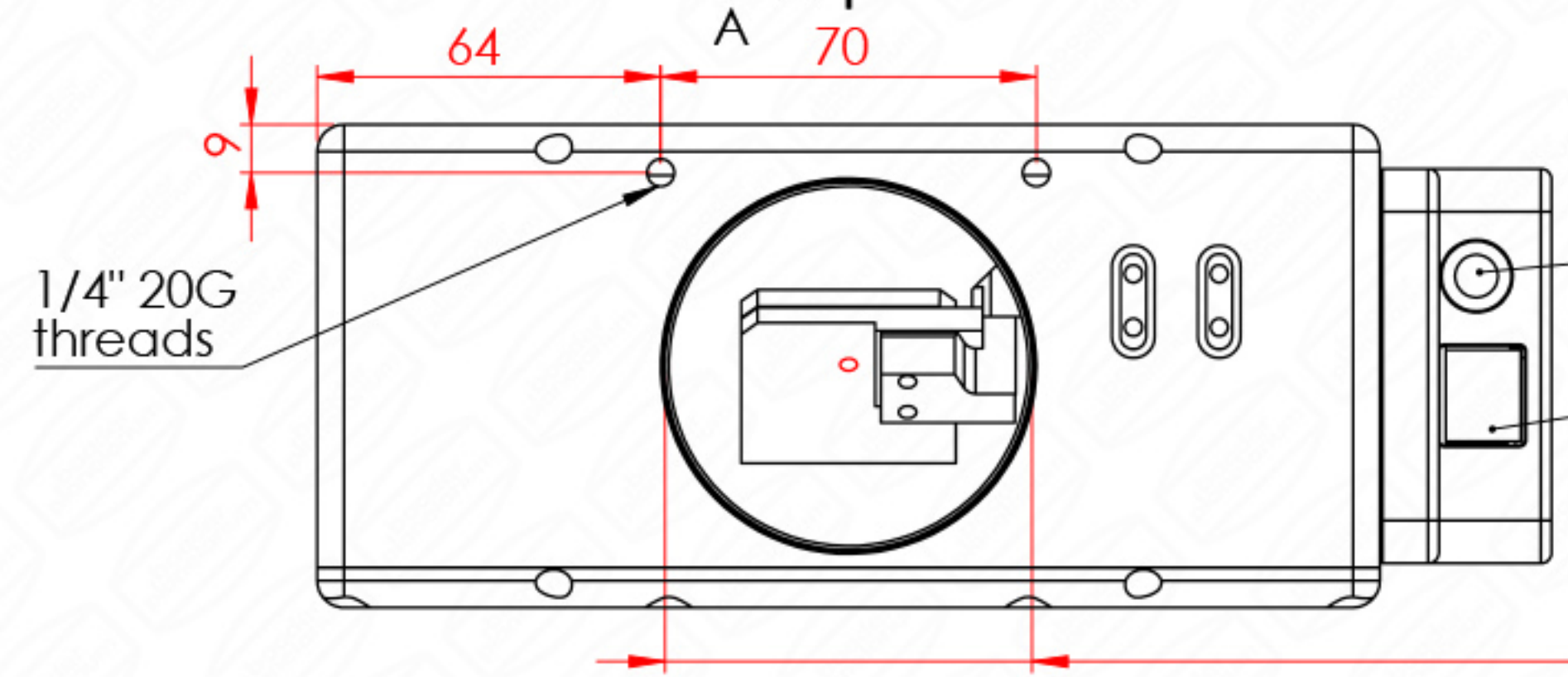
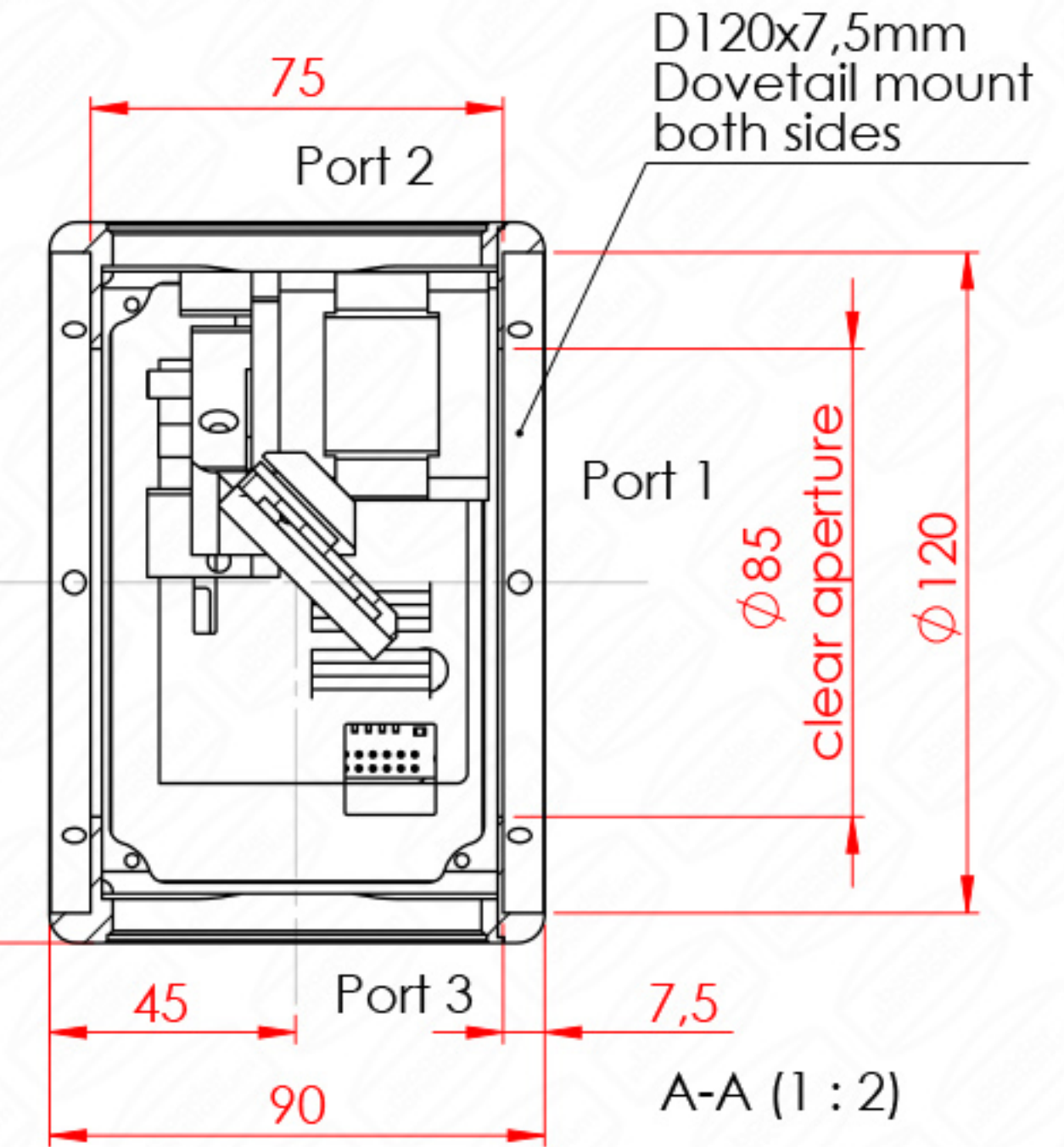


| Port | Backfocus | clear aperture |
|------|-----------|----------------|
| 1 | 90mm | 85mm |
| 2 | 110,5mm | 67mm |
| 3 | 110.5mm | 67mm |

2x each side 1/4" 20G threads for fastening accessories like balancing weight assemblies



USB Port Programming only



12V 1.5A Power Port for 5.5/2.1mm plugs

RJ45 Network Port Default IP: 192.168.1.85

M6x1 (8mm deep) metrical thread

